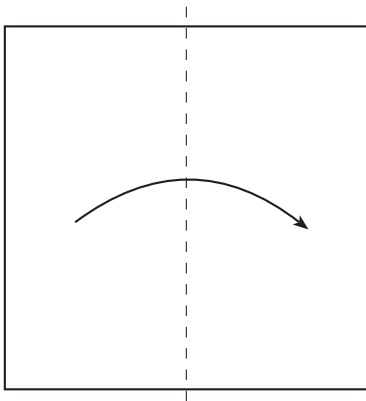


FISHY ORIGAMI

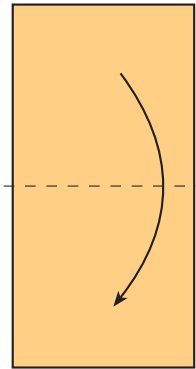


Follow the directions below to turn a square piece of paper into an angelfish.

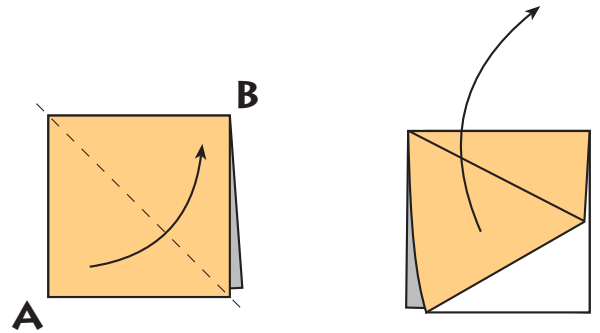
www.macduff-aquarium.org.uk



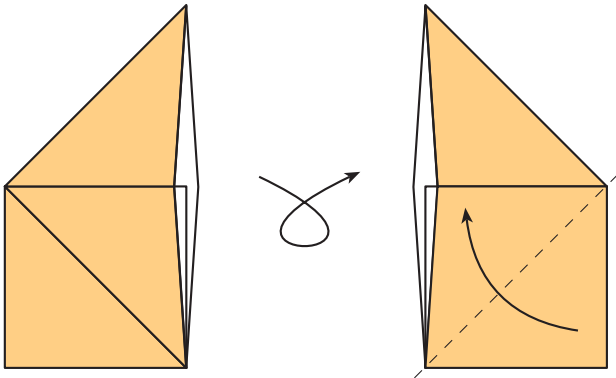
1. Fold a square piece of paper in half.



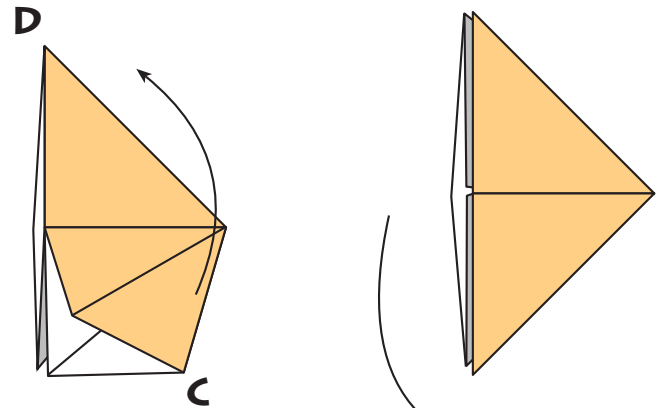
2. Fold again.



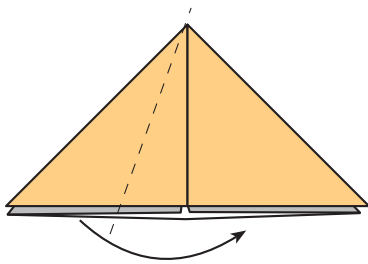
3. Take corner A to corner B, crease, then fold back. Lift open corner and pull out. Turn over.



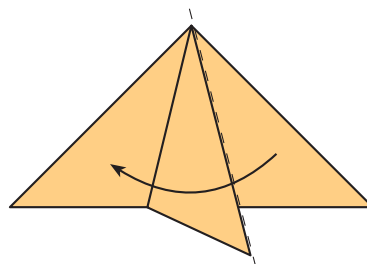
4. Fold the bottom square to give a diagonal crease and unfold.



5. Lift corner C, open out and fold to corner D to give a triangular shape.



6. Open two middle folds and cross over as shown to form tail.



7. Fold back outer corners and you have an origami fish – just add an eye, patterns and colour!

